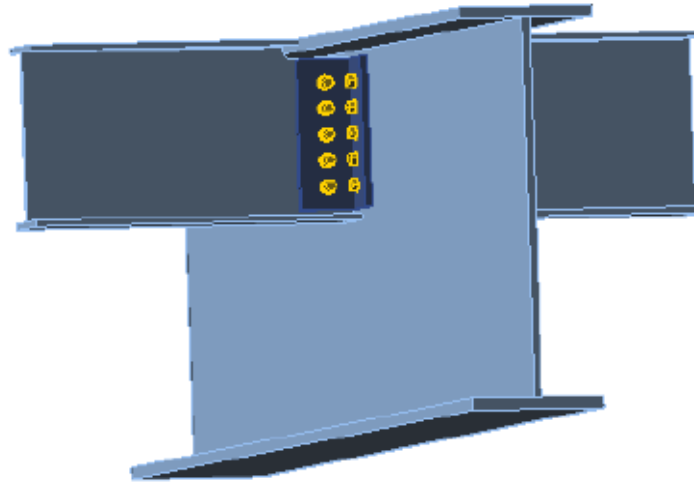
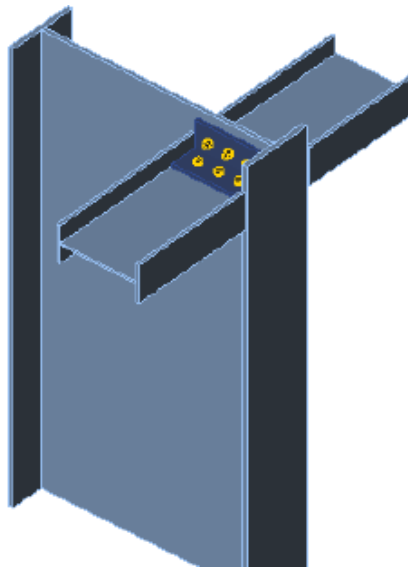


REPLY/CLARIFICATION (SET 2) to the queries received after the 1st set of clarification sent on

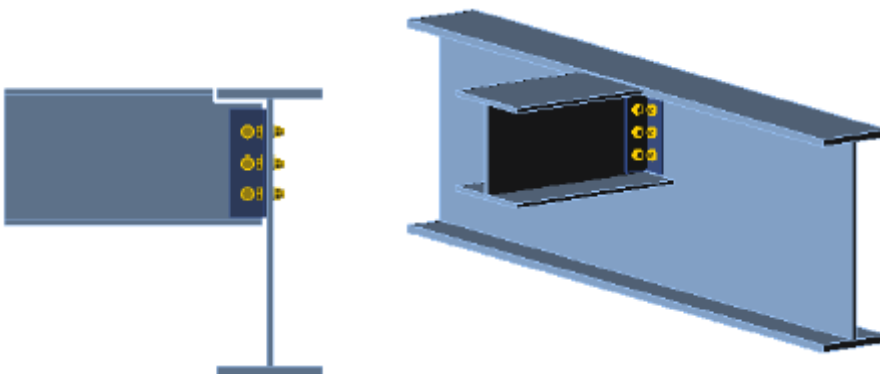
Roof transverse to Rafter.



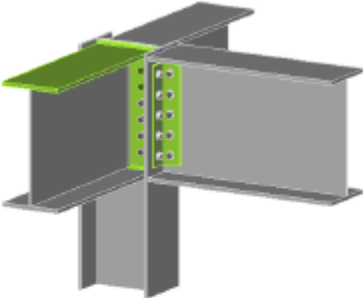
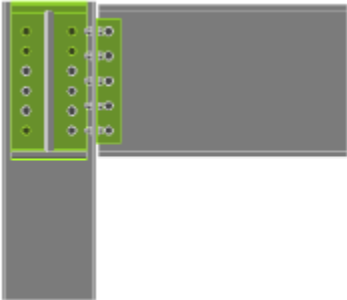
Wall Transverse to Column



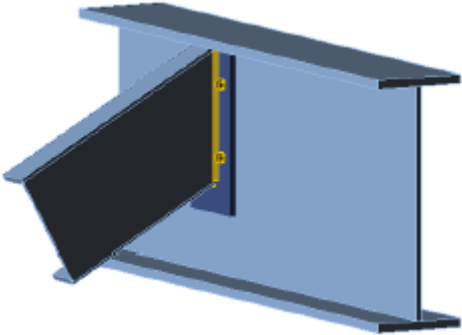
Floor ribs to Floor Beam



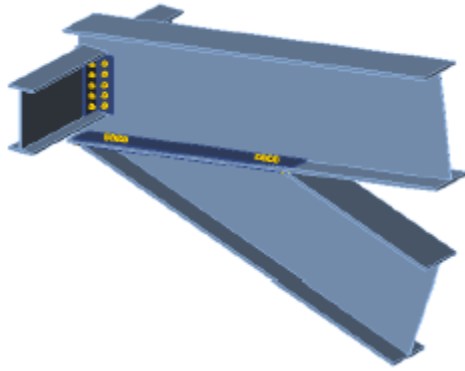
Beam- Column Connection



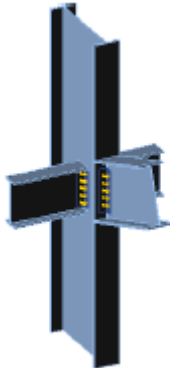
Stair to Floor Beam



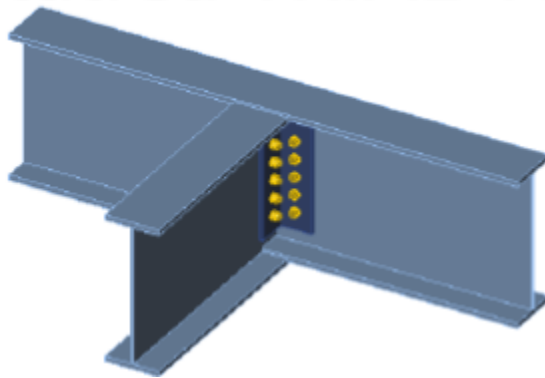
Cantilever to supporting Inclined



Cantilever supporting Inclined to Column and Wall Transverse to Column



Beam to beam connection



Roof Transverse to Transverse Connection

